

PRODUCT INFORMATION PACKET

Model No: 184TBDR7375
Catalog No: I119
5,1800,DP,184T,1/60/208-230
Pressure Washers



Regal and Marathon are trademarks of Regal Beloit Corporation or one of its affiliated companies.

©2018 Regal Beloit Corporation, All Rights Reserved. MC017097E





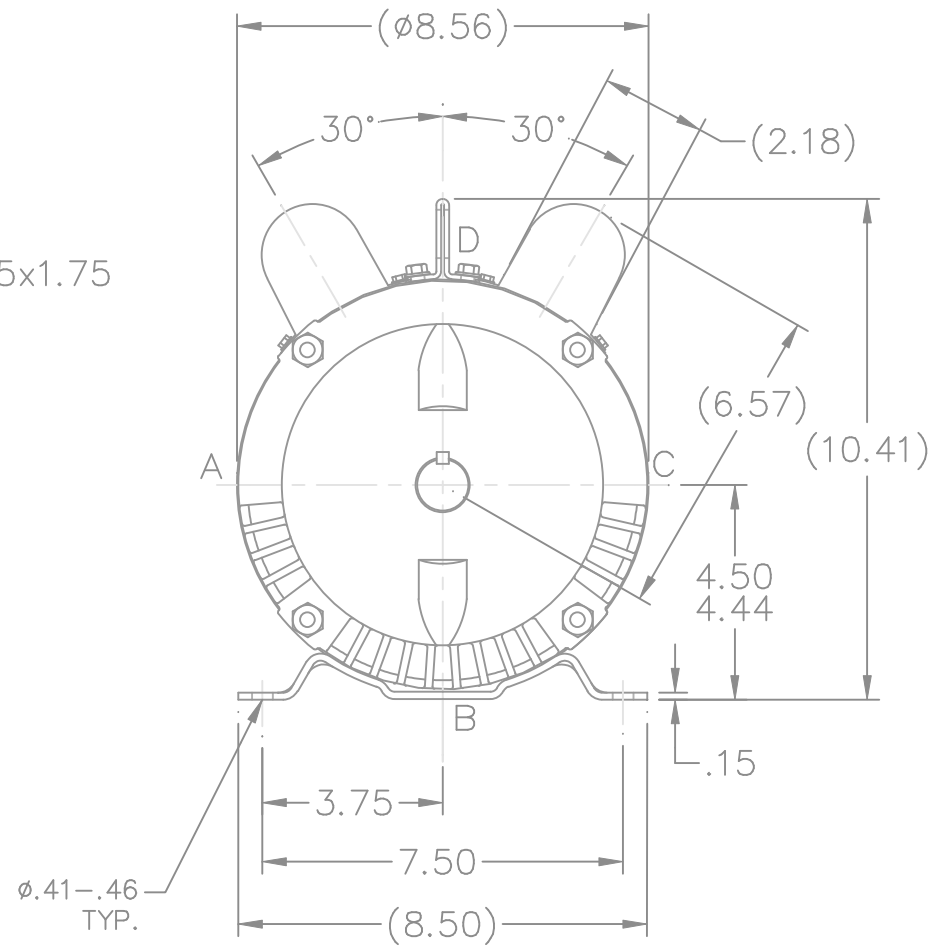
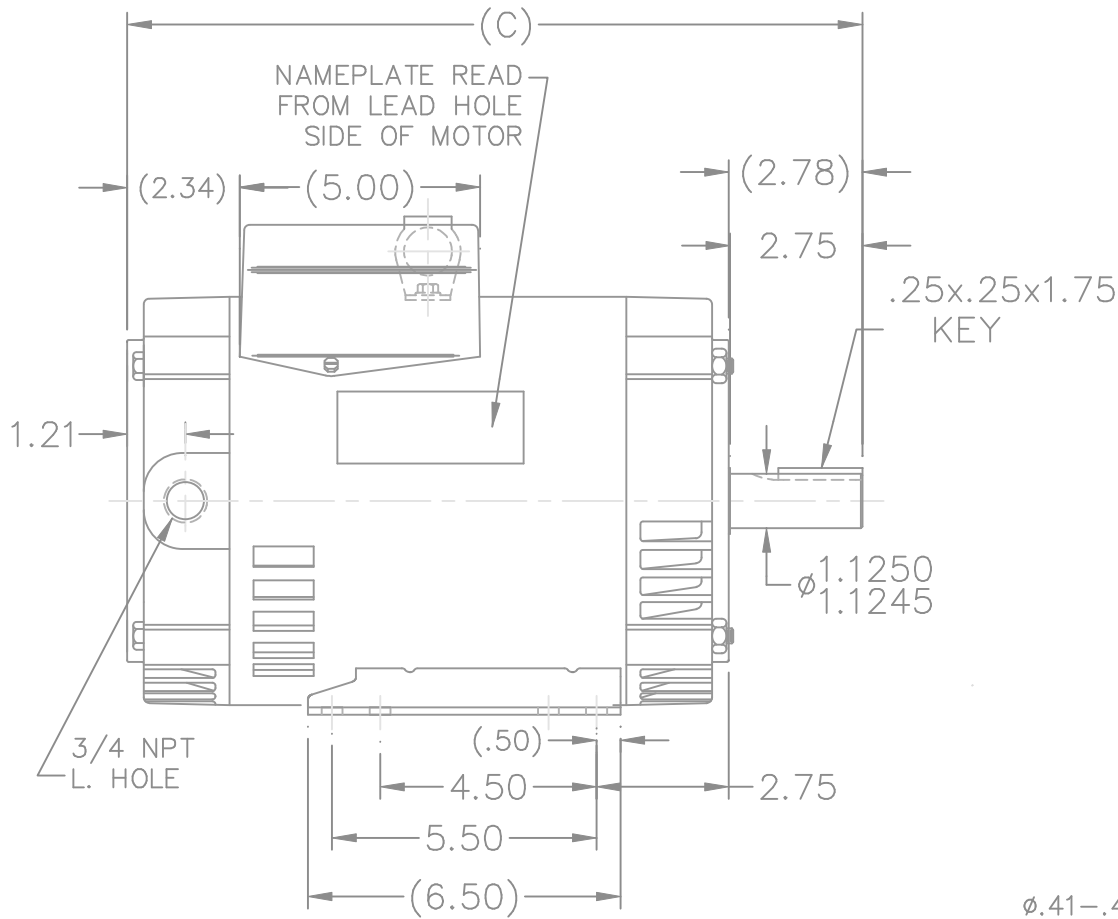
Nameplate Specifications

Output HP	5 Hp	Output KW	3.7 kW
Frequency	60 Hz	Voltage	208-230 V
Current	25.5-24.1 A	Speed	1760 rpm
Service Factor	1.15	Phase	1
Efficiency	81.5 %	Duty	Continuous
Insulation Class	B	Design Code	NO DESIGN CODE
KVA Code	H	Frame	184T
Enclosure	Drip Proof	Overload Protector	Manual
Ambient Temperature	40 °C	Drive End Bearing Size	6206
Opp Drive End Bearing Size	6205	UL	Recognized (Not Protector)
CSA	Y	CE	N
IP Code	12		


Technical Specifications

Electrical Type	Capacitor Start Capacitor Run	Starting Method	Across The Line
Poles	4	Rotation	Selective Clockwise
Mounting	Rigid base	Motor Orientation	Horizontal
Drive End Bearing	Ball	Opp Drive End Bearing	Ball
Frame Material	Rolled Steel	Shaft Type	T
Overall Length	16.29 in	Frame Length	9.25 in
Shaft Diameter	1.125 in	Shaft Extension	2.78 in
Assembly/Box Mounting	F1 Only		
Outline Drawing	A-SS67836-925	Connection Diagram	A-EE9048LZ

This is an uncontrolled document once printed or downloaded and is subject to change without notice. Date Created: 06/29/2018



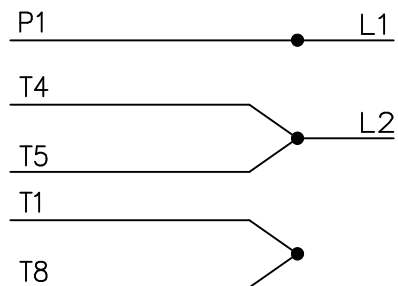
DASH	FR.	C
825	182T	15.29
825	184T	15.29
875	184T	15.79
925	184T	16.29

			TOLERANCES UNLESS SPECIFIED			DRAWN LZ 09-18-1994			
			DEC.	INCHES		CHK ML 09-29-1994	APPD GK 09-29-1994		
5	ADDED LIFT LUG CN34025	HLB 07-19-2001	.X	±.1	TITLE OUTLINE 180T FR. - DR. PR.	SCALE 1=4			
4	CLARIFIED REMOVAL OF EYEBOLT CLARIFIED SHAFT DIA. CN23925-617	MRB 11-21-1997	.XX	±.03		REF A-SS67836	FMF		
3	ADDED NEW BASE (68105-2) CN14442	MRB 11-06-1995	.XXX	±.005	MAT'L.	PREV			
NO.	REVISION	BY & DATE	CHK	ANG	FINISH				
			RFP	09-29-1994	CAD FILE SS67836	SIZE A	DRAWING NO. SS67836	PAGE OF	REV. 5
			DIST	LB					

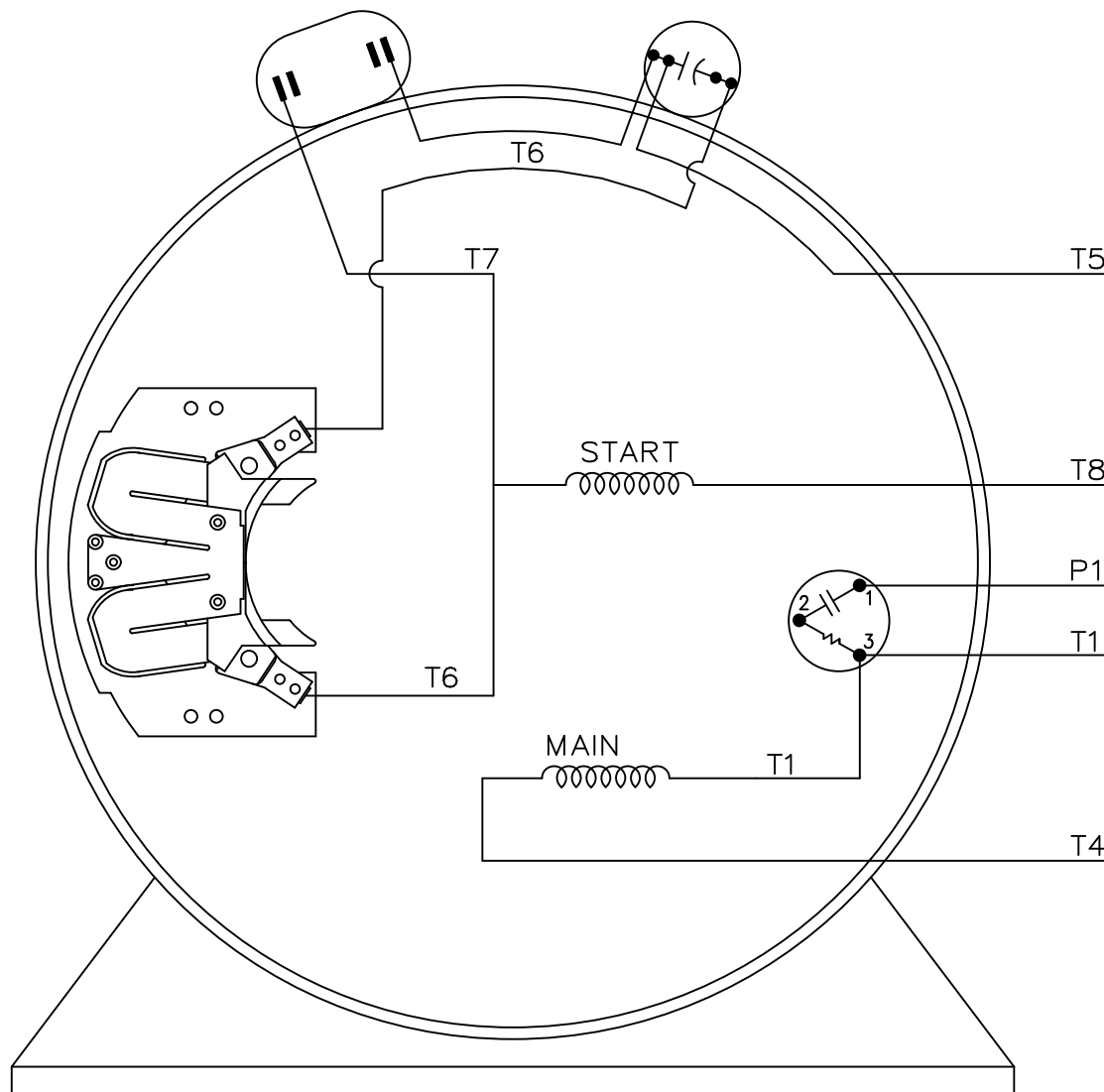
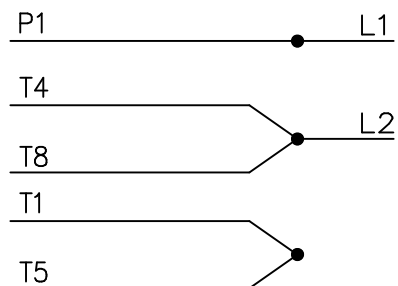
THIS DRAWING IN DESIGN AND DETAIL IS OUR PROPERTY AND MUST NOT BE USED EXCEPT IN CONNECTION WITH OUR WORK ALL RIGHTS OF DESIGN AND INVENTION ARE RESERVED THIS IS AN ELECTRONICALLY GENERATED DOCUMENT - DO NOT SCALE THIS PRINT

SINGLE VOLTAGE
CAPACITOR START
CAPACITOR RUN
REVERSIBLE


C.C.W. ROTATION



C.W. ROTATION



VIEW OF TERMINAL END

				TOLERANCES UNLESS SPECIFIED			DRAWN GK 01-10-1987		
				DEC.	INCHES		CHK		
				.X	± -		APPD		
				.XX	± -		SCALE		
				.XXX	± -		REF		
1	NEW DRAWING	CN-7664C	GK 01-10-1987	.XXXX	± -	MAT'L.	FMF		
NO.	REVISION	BY & DATE	CHK	ANG	± -	FINISH	PREV		
THIS DRAWING IN DESIGN AND DETAIL IS OUR PROPERTY AND MUST NOT BE USED EXCEPT IN CONNECTION WITH OUR WORK ALL RIGHTS OF DESIGN AND INVENTION ARE RESERVED THIS IS AN ELECTRONICALLY GENERATED DOCUMENT - DO NOT SCALE THIS PRINT				RFP	CAD FILE	EE9048LZ	SIZE	DRAWING NO.	REV.
				DIST			A	EE9048LZ	1

